

## Twin Tower Mounted Amplifier (TTMA)

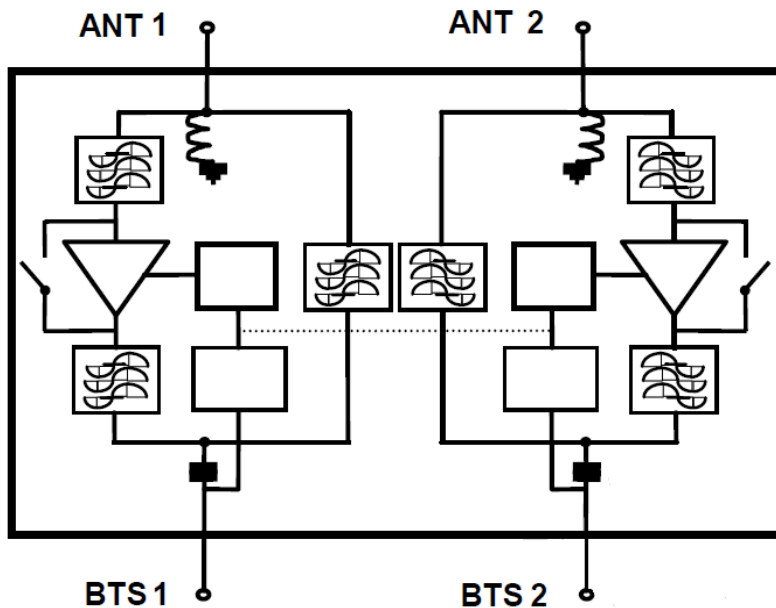
### Product Description

Kavveri's Twin TMA is of full band and fully duplexed. It improves uplink sensitivity and receive performance of Base Stations.

TMA unit consists of Band Pass Filter, Low Noise Amplifiers, Bypass circuitry housed in IP 68 enclosures. The unit provides protection against lightning strikes via surge protection circuit.

DC Power is provided through Bias Tee via feeder cable from BTS. An indoor Power Distribution Unit (PDU) is available to power up to 3 TMA units. PDU provides regulated DC power supply voltage for the TMAs.

### Block Diagram



## Twin Tower Mounted Amplifier

### Technical Specifications

|                                      |  |
|--------------------------------------|--|
| Model No                             | 119 001 44                               |
| Frequency Range:                     | 1710-1880 MHz                            |
| <b>Uplink Specifications:</b>        |  |
| Nominal Gain                         | 12 dB                                    |
| Pass Band Ripple                     | 0.5 dB                                   |
| Noise Figure                         | Better than 1.7                          |
| Down Link Band Rejection             | Better than 80 dB                        |
| Insertion Loss Bypass Mode           | < 1.5 dB                                 |
| Rx - Tx Rejection                    | Better than 80 dB                        |
| <b>Down Link Specifications:</b>     |  |
| Insertion Loss                       | <0.5 dB                                  |
| Ripple                               | 0.1 dB                                   |
| VSWR                                 | Better than 1.3                          |
| Intermod Products                    | -120 dBm (2 x43 dBm carriers in Tx Band) |
| Max Power Handling                   | 50 dBm CW                                |
| Dimension (L x W x D)                | 285x 160 x 90 mm                         |
| Weight                               | 7 Kgs                                    |
| Lightning Protection at Antenna Port | DC Grounded                              |
| Enclosure                            | IP 68 Compliant                          |
| Operating temperature                | - 20° C to + 70° C                       |

### Product Photo

