

## Twin Tower Mounted Amplifier (TTMA)

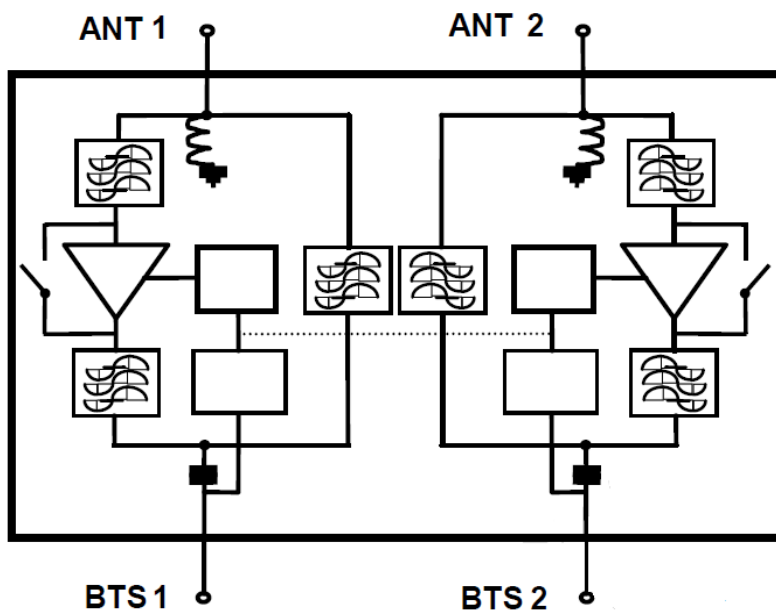
### Product Description

Kavveri's Twin TMA is of full band and fully duplexed. It improves uplink sensitivity and receive performance of Base Stations.

TMA unit consists of Band Pass Filter, Low Noise Amplifiers, Bypass circuitry housed in IP 68 enclosures. The unit provides protection against lightning strikes via surge protection circuit.

DC Power is provided through Bias Tee via feeder cable from BTS. An indoor Power Distribution Unit (PDU) is available to power up to 3 TMA units. PDU provides regulated DC power supply voltage for the TMAs.

### Block Diagram



## Twin Tower Mounted Amplifier

### Technical Specifications

Model No	119 001 43
Frequency Range:	890-960 MHz
<b>Uplink Specifications:</b>	
Nominal Gain	12 dB
Pass Band Ripple	0.5 dB
Noise Figure	Better than 1.7
Down Link Band Rejection	Better than 80 dB
Insertion Loss Bypass Mode	< 1.5 dB
Rx - Tx Rejection	Better than 80 dB
<b>Down Link Specifications:</b>	
Insertion Loss	<0.5 dB
Ripple	0.1 dB
VSWR	Better than 1.3
Intermod Products	-120 dBm (2 x43 dBm carriers in Tx Band)
Max Power Handling	50 dBm CW
Dimension (L x W x D)	285x 160 x 90 mm
Weight	7 Kgs
Lightning Protection at Antenna Port	DC Grounded
Enclosure	IP 68 Compliant
Operating temperature	- 20° C to + 70° C

### Product Photo

